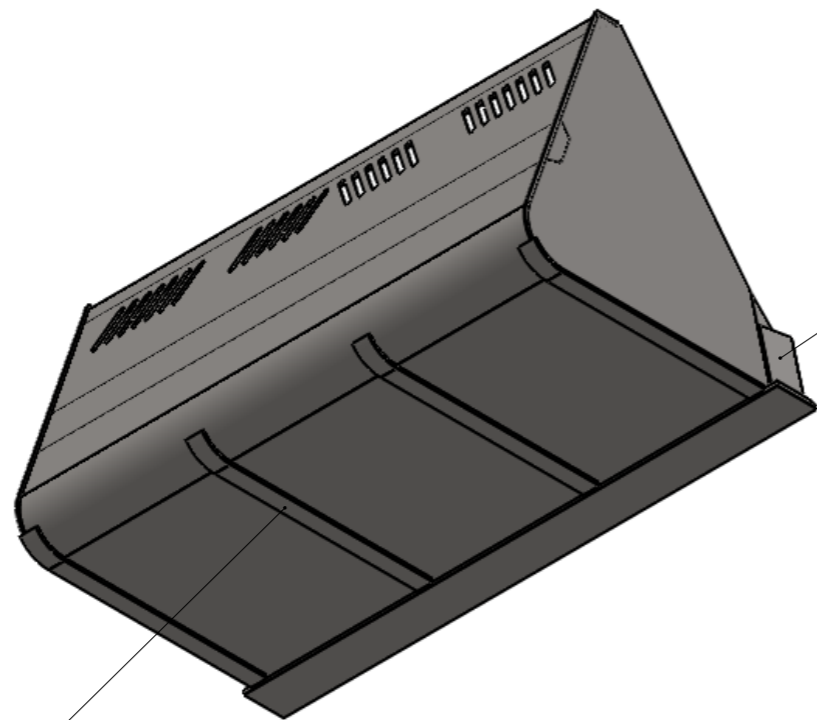


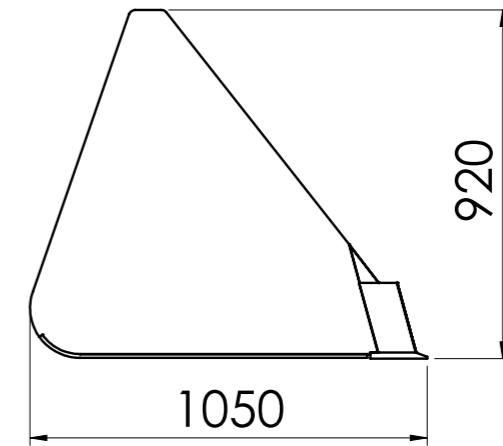
2

1



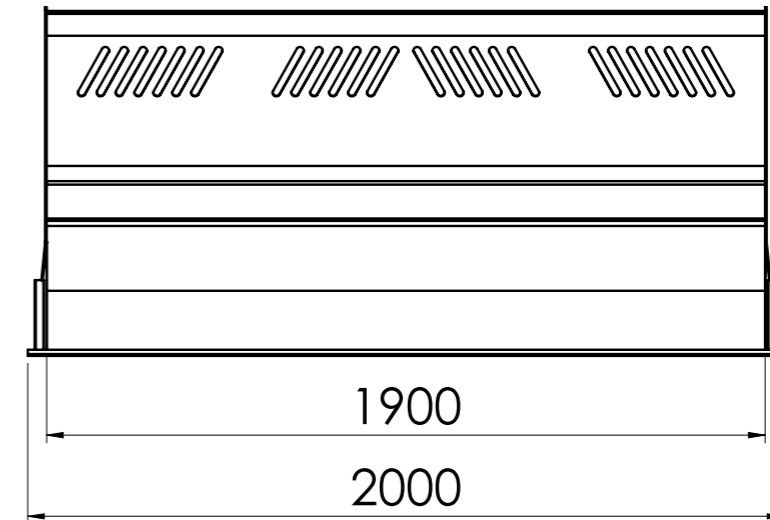
4

3



1050

920



1900

2000

4	Bottom bar	S355	10 mm
3	Side member	HB 500	101x21/11x610 mm
2	Bottom plate	S355	4 mm
1	Front edge	HB 500	16x150x2000

NO.	TITLE	MATERIAL	DESCRIPTION
-----	-------	----------	-------------

	Volume	1200 L	Mass	230 kg	Scale
--	--------	--------	------	--------	-------

Drawn	Teet Toming	Name	
Checked		LMB490/2000	
Approved			

PTC	Sheet	Date
	1 of 1	27.04.2015